

Toilet antiskid handrail

衛生間防滑扶手欄杆-不銹鋼安全拉手

Model: LR-JN

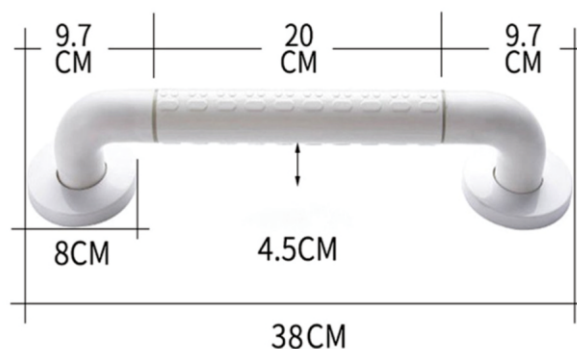
Features:

- Anti-slip and anti-drop: large particles bulge and polished rounded corners to prevent accidents, effectively increase resistance
- Built-in thick stainless steel inner tube, double tube reinforcement is more firm and non-slip, anti-rust, corrosion-resistant and safer to use
- Super strong load-bearing 600 kg
- Applicable to: use in toilets, stairs and other places

- 防滑防摔: 大顆粒凸起打磨圓角防滑, 有效增加阻力防止意外, 濕手抓握也不怕
- 內置加厚不鏽鋼內管, 雙管加固更牢固防滑, 不凍手、防生鏽、耐腐蝕、不變形、使用更安全
- 超強承重600斤, 易安裝, 輕鬆搞定
- 適用於: 衛生間、樓梯等場所使用

Specifications

Product Model 產品型號	LR-JN
Product Material 產品材質	outer tube nylon + 304 stainless steel inner tube 外管尼龍+304不銹鋼內管
Installation method 安裝方式	punch 打孔
Product size 產品尺寸	38cm
Net weight 淨重	750g
Packing size 包裝尺寸	40*9*9cm
Package weight 包裝重量	850g



Instructions

1. Measure the size and mark the leveling points according to the height of the handrail
2. Adjust the installation position according to the level point, and mark the hole at the flange fixed point
3. Punch a hole at the marked point and insert the expansion (usually with a bracket 8mm rotor)
4. Align the screw holes of the flange and screw in the screws to fix the armrests
5. Fasten the flange cover onto the flange plate, and the installation is complete

- 1.量尺寸, 根據扶手的高度標記好水準點
- 2.根據水準點調整安裝位置, 在法蘭固定點做打孔標記
- 3.在標記點打孔並插入膨脹(一般情況下用支架8mm轉頭)
- 4.對準法蘭盤螺孔擰入螺絲, 將扶手固定好
- 5.將法蘭蓋扣到法蘭盤上面, 即安裝完成